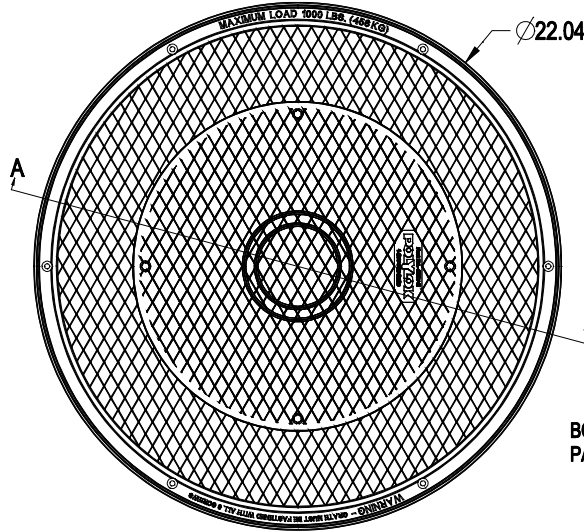
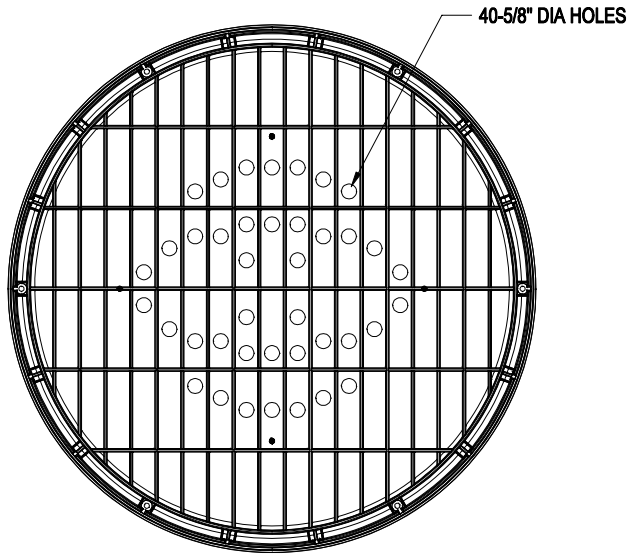
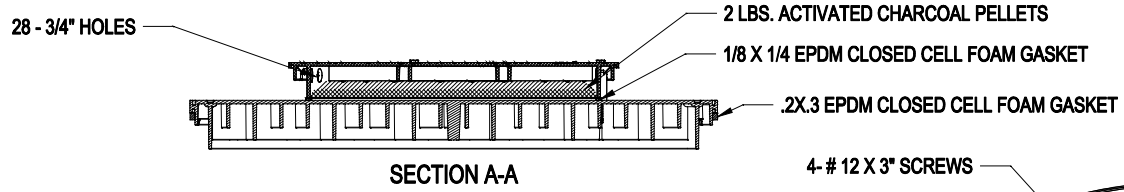
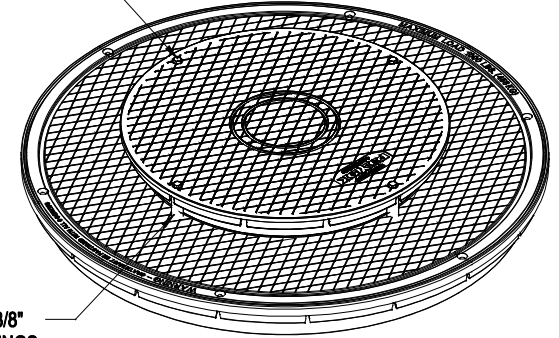


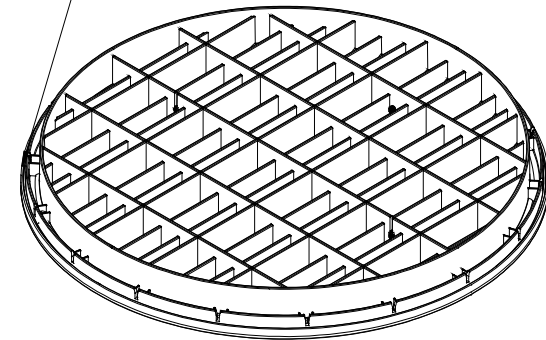
**CHARCOAL COVER SPECIFICATIONS:**  
**ASSEMBLY CONSISTING OF;**  
 1- 3017-C20 20" COVER  
 1- 3017-C12 12" COVER  
 4- ACRYLIC BUSHINGS  
 4- #12 X3" SCREWS  
 2- PIECES OF 1/16" FIBERGLASS SCREENING  
 2 LBS. ACTIVATED CARBON PELLETS



4- # 12 X 3" SCREWS



**BOTTOM DETAIL FITS POLYLOK**  
 PART NO. - 3009  
 3009-R12  
 3009-AR  
 3009-RTR20  
 3009-RP  
 3017-20



**POLYLOK 20" ACTIVATED CHARCOAL COVER**  
 PART NO. 3009-ACC  
 MATERIAL - HDPE  
 COLOR - GREEN

